
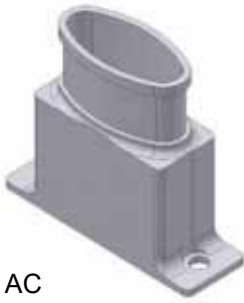
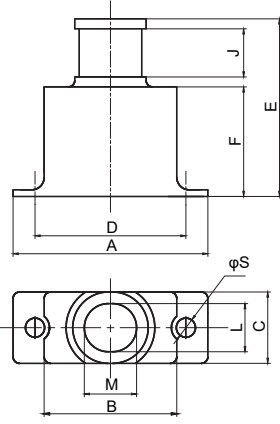
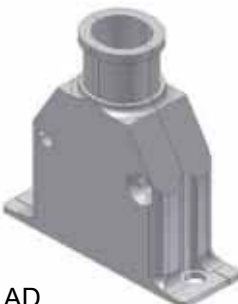
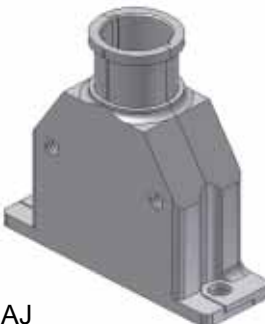

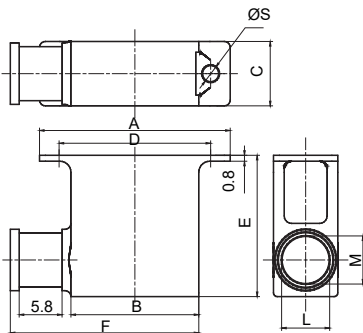


Backshells

Stereogram & Feature		Outline Dimensions
 <p>AB</p> <p>AB Style: One-Piece, Standard Type</p>	 <p>AC</p> <p>AC Style: One-Piece, Wide Entry</p>	
 <p>AD</p> <p>AD Style: Two-Piece, Elongated Type</p>	 <p>AJ</p> <p>AJ Style: Two-Piece, Non-Skid and Elongated Type</p>	
 <p>AG</p> <p>AG Style: One-Piece, Standard Type with 90° Entry</p>		

Remark: All dimensions are in mm.

Outline Dimensions Of Backshells

Part Number	Outline Dimensions									
	A	B	C	D	E	F	J	ØS	L	M
R04A-9-AB	19.6	11.2	8.7	14.3	21.4	13.2	5.8	2.31	-	4.7
R04A-15-AB	23.5	15	8.7	18.2	21.4	13.2	5.8	2.31	-	5.8
R04A-21-AB	27.3	18.8	8.7	22	21.4	13.2	5.8	2.31	-	6.5
R04A-25-AB	29.8	21.4	8.7	24.5	21.4	13.2	5.8	2.31	6.7	7.8
R04A-31-AB	33.6	25.2	8.7	28.3	21.4	13.2	5.8	2.31	6.7	8.3
R04A-37-AB	37.4	29	8.7	32.1	21.4	13.2	5.8	2.31	6.7	9.5
R04A-A51-AB	46.3	37.9	8.7	41	21.4	13.2	5.8	2.31	6.7	13
R04A-51-AB	36.2	27.8	9.7	30.9	23.7	15.5	5.8	2.31	7.5	11.9
R04A-69-AB	43.8	35.4	9.7	38.5	23.7	15.5	5.8	2.31	7.5	15.7
R04A-100-AB	54.7	38.7	11	45.7	24.2	16	5.8	3.7	8.7	17.4
R04A-9-AC	19.6	11.2	8.7	14.3	21.4	13.2	5.8	2.31	6.7	7.9
R04A-15-AC	23.5	15	8.7	18.2	21.4	13.2	5.8	2.31	6.7	11.6
R04A-21-AC	27.3	18.8	8.7	22	21.4	13.2	5.8	2.31	6.7	15.4
R04A-25-AC	29.8	21.4	8.7	24.5	21.4	13.2	5.8	2.31	6.7	18
R04A-31-AC	33.6	25.2	8.7	28.3	21.4	13.2	5.8	2.31	6.7	21.8
R04A-37-AC	37.4	29	8.7	32.1	21.4	13.2	5.8	2.31	6.7	25.6
R04A-A51-AC	46.3	37.9	8.7	41	21.4	13.2	5.8	2.31	6.7	26.2
R04A-51-AC	36.2	27.8	9.7	30.9	23.7	15.5	5.8	2.31	7.5	23.4
R04A-69-AC	43.8	35.4	9.7	38.5	23.7	15.5	5.8	2.31	7.5	29.4
R04A-100-AC	54.7	38.7	11	45.7	24.2	16	5.8	3.7	8.7	34.1
R04A-9-AD	19.6	12.1	8.7	14.3	29.4	21.2	5.8	2.31	-	4.7
R04A-15-AD	23.5	16	8.7	18.2	29.4	21.2	5.8	2.31	-	5.8
R04A-21-AD	27.3	19.8	8.7	22	29.4	21.2	5.8	2.31	-	6.5
R04A-25-AD	29.8	22.3	8.7	24.5	29.4	21.2	5.8	2.31	6.6	7.9
R04A-31-AD	33.6	26.1	8.7	28.3	29.4	21.2	5.8	2.31	6.6	8.4
R04A-37-AD	37.4	29.9	8.7	32.1	29.4	21.2	5.8	2.31	6.6	9.5
R04A-A51-AD	46.3	38.8	8.7	41	29.4	21.2	5.8	2.31	6.6	13.1
R04A-51-AD	36.2	28.7	9.7	30.9	31.7	23.5	5.8	2.31	7.5	11.9
R04A-69-AD	43.8	36.3	9.7	38.5	31.7	23.5	5.8	2.31	7.5	15.7
R04A-100-AD	54.7	38.8	11	45.7	32.2	24	5.8	3.7	8.7	17.5
R04A-9-AJ	19.6	12.1	8.7	14.3	29.4	21.2	5.8	2.31	-	4.7
R04A-15-AJ	23.5	16	8.7	18.2	29.4	21.2	5.8	2.31	-	5.8
R04A-21-AJ	27.3	19.8	8.7	22	29.4	21.2	5.8	2.31	-	6.5
R04A-25-AJ	29.8	22.3	8.7	24.5	29.4	21.2	5.8	2.31	6.6	7.9
R04A-31-AJ	33.6	26.1	8.7	28.3	29.4	21.2	5.8	2.31	6.6	8.4
R04A-37-AJ	37.4	29.9	8.7	32.1	29.4	21.2	5.8	2.31	6.6	9.5
R04A-A51-AJ	46.3	38.8	8.7	41	29.4	21.2	5.8	2.31	6.6	13.1
R04A-51-AJ	36.2	28.7	9.7	30.9	31.7	23.5	5.8	2.31	7.5	11.9
R04A-69-AJ	43.8	36.3	9.7	38.5	31.7	23.5	5.8	2.31	7.5	15.7
R04A-100-AJ	54.7	38.8	11	45.7	32.2	24	5.8	3.7	8.7	17.5
R04A-9-AG	19.6	11.2	8.7	14.3	17.3	19.4	-	2.31	-	4.7
R04A-15-AG	23.5	15	8.7	18.2	18.4	23.2	-	2.31	-	5.8
R04A-21-AG	27.3	18.8	8.7	22	19.1	27	-	2.31	-	6.5
R04A-25-AG	29.8	21.4	8.7	24.5	20.4	29.6	-	2.31	6.7	7.8

Remark: All dimension are in mm.

Outline Dimensions Of Backshells

Part Number	Outline Dimensions									
	A	B	C	D	E	F	J	ØS	L	M
R04A-31-AG	33.6	25.2	8.7	28.3	20.9	33.4	-	2.31	6.7	8.3
R04A-37-AG	37.4	29	8.7	32.1	22.1	37.2	-	2.31	6.7	9.5
R04A-A51-AG	46.3	37.9	8.7	41	25.6	46.1	-	2.31	6.7	13
R04A-51-AG	36.2	27.8	9.7	30.9	24.5	36	-	2.31	7.5	11.9
R04A-69-AG	43.8	35.4	9.7	38.5	28.3	43.6	-	2.31	7.5	15.7
R04A-100-AG	54.7	38.7	11	45.7	30	46.9	-	3.7	8.7	17.4

Remark: All dimension are in mm.