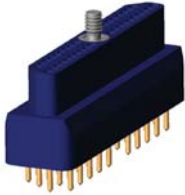
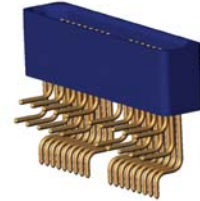


**Product solid picture of middle locking connector**

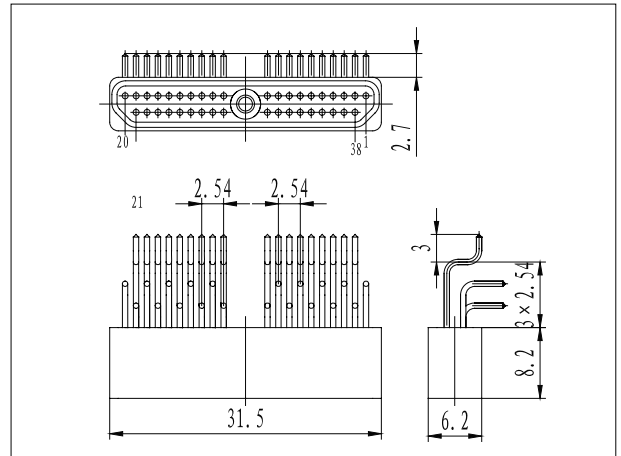
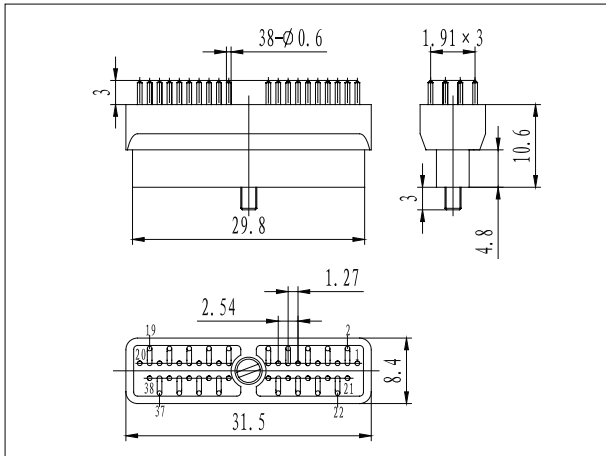


R04-38PIS

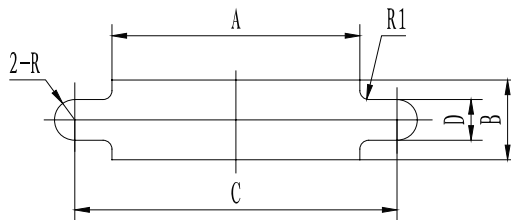


R04-38RHFM

**Outline dimension**



**Mounting hole dimension of solder cup and crimp type**



Contacts No.	A	B	C	D
9Pins	10.1	4.6	14.3	2.3
15Pins	14.2	4.6	18.2	2.3
21Pins	17.9	4.6	22	2.3
25Pins	20.8	4.6	24.5	2.3
31Pins	24.2	4.6	28.3	2.3
37Pins	28.2	4.6	32.2	2.3
51Pins	26.9	5.9	30.8	2.3

Note: All dimensions in mm