

Sunkye R016 Micro Circular Connector

1. Brief Introduction

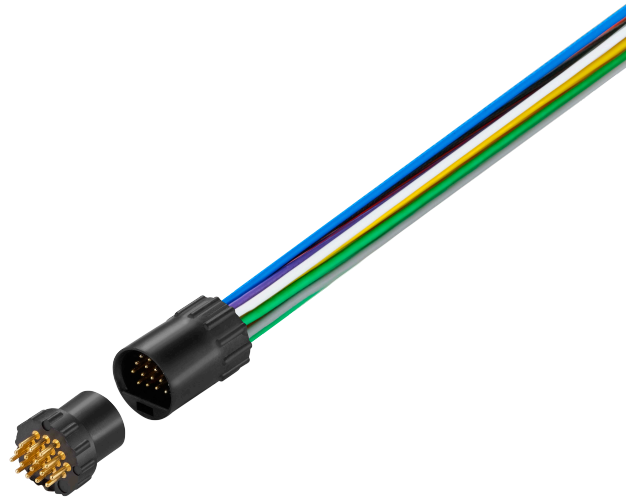
This Micro Circular Connector is a cylindrical connector designed for the application requiring rugged, high-performance, high-density pitch interconnects with a density of 1.27mm. Receptacle with 26AWG wire, plug with straight to PCB termination & plug can be with wire, simple structure & good performance, and it's widely used in medical, electronics and other fields.

2. Design Feature and Benefits

- Simple structure, competitive price
- Convenient to use, extensive usage
- Receptacle with PTFE 26AWG wire
- Plug with straight to PCB termination & plug can be with cable

3. Performance Index

- Plug contact: Rigid Contact
- Nos. of contact: 12pins, 16pins
- Rated Current: 2A
- Insulation resistance: $\geq 5000 \text{ M}\Omega$
- Dielectric strength: 500V
- Contact resistance: $\leq 10 \text{ m}\Omega$
- Durability: 500 Cycles
- Working temperature: $-40^{\circ}\text{C} \sim +85^{\circ}\text{C}$
- Vibration: 10 Hz~1500Hz, 120 m/s^2
- Mechanical Shock: 980 m/s^2
- Random vibration: Power spectral density $0.3 \text{ G}^2/\text{Hz}$, Root-mean-square value of total acceleration: 20.0



4. Connector Materials and Surface Treatment

Parts	Materials	Surface Finished
Pin	Copper alloy	Gold 2μm
Housing	PPS	/

5. Environment Protect data (ROHS)

matter	Hg	Pb	Cr(VI)	PBB	PBDE	Cd
meet	or	exempt	meet	exempt	meet	meet

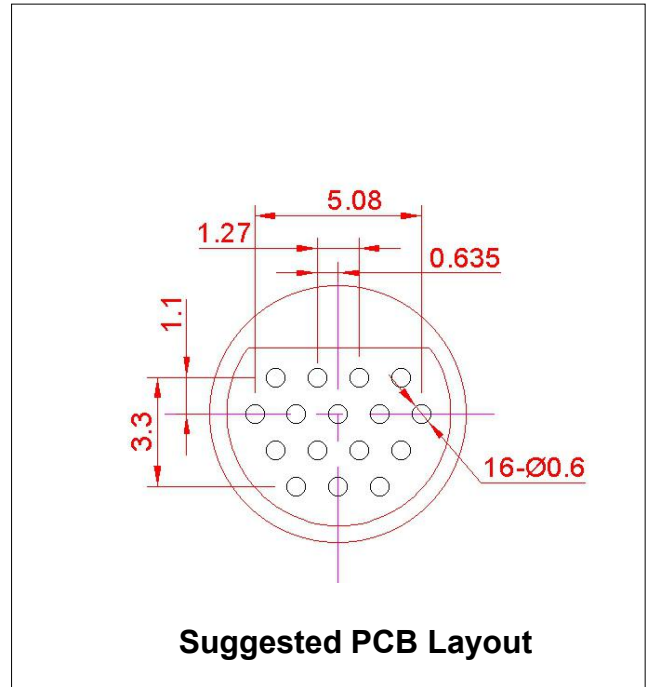
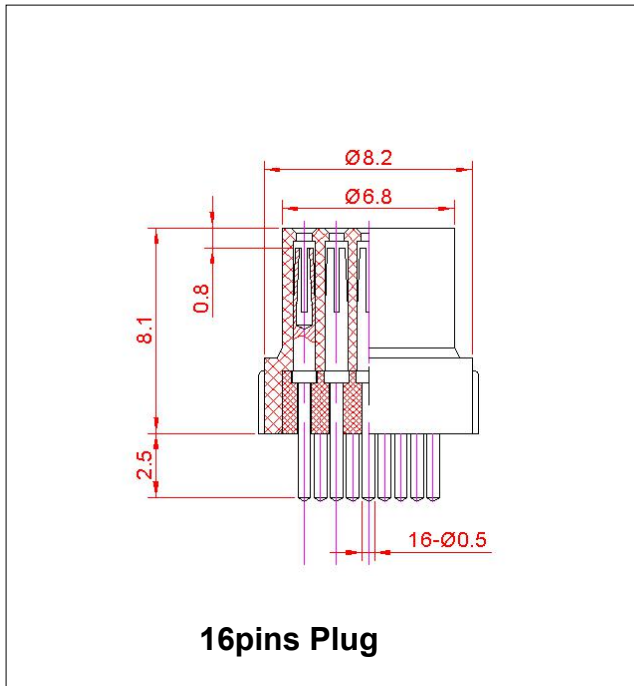
6. How to order

Sample Part Number	R016	- 12	RI	A
Sunkye R016 Micro Circular Connector				
No. of contacts: 12,16 pins				
Contact Type & Termination Type:				
PH- Socket in plug, straight to PCB				
RI - pin in receptacle				
Wires Type & Length:				
A - PTFE 26AWG ,180mm				
B - PTFE 26AWG ,500mm				
C - PTFE 26AWG ,1000mm				
D - PTFE 26AWG ,Non standard length.(Please specify the wire length)				
Omit for Straight to PCB connectors.				

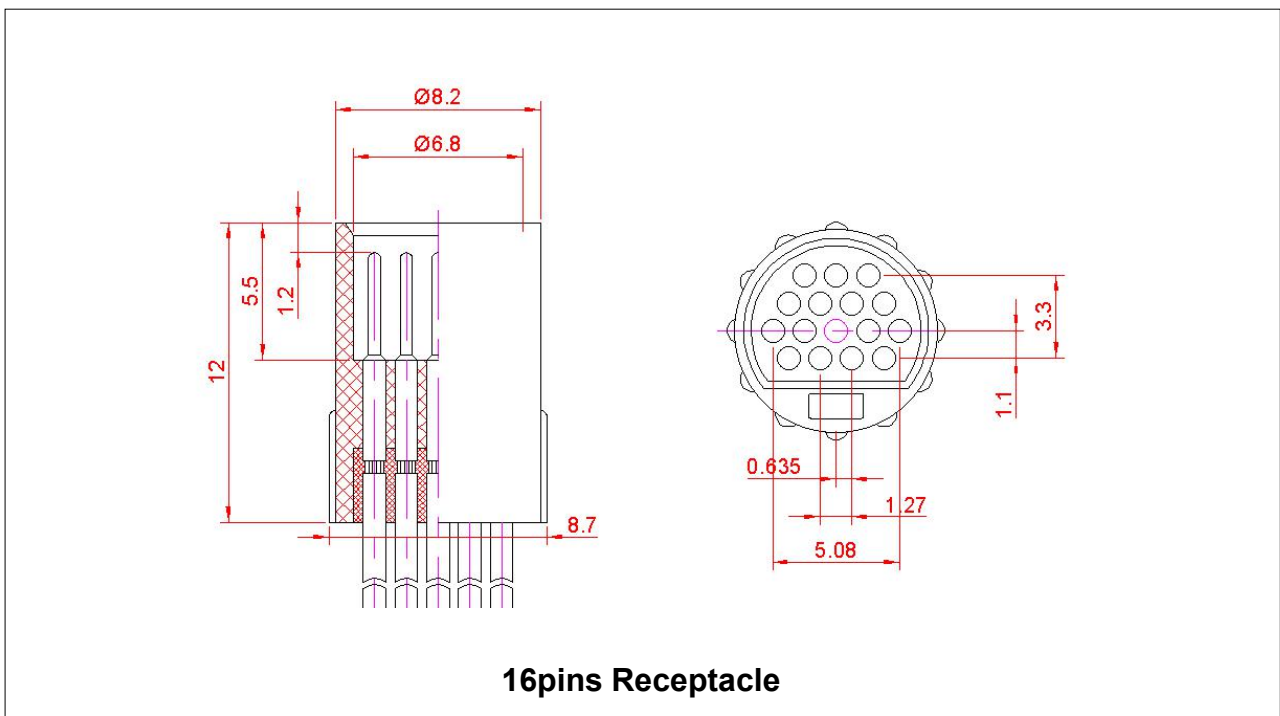
7. Outline Dimension

7.1 16Pins Micro Circular Connector

7.1.1 Plug(PH) - Straight to PCB



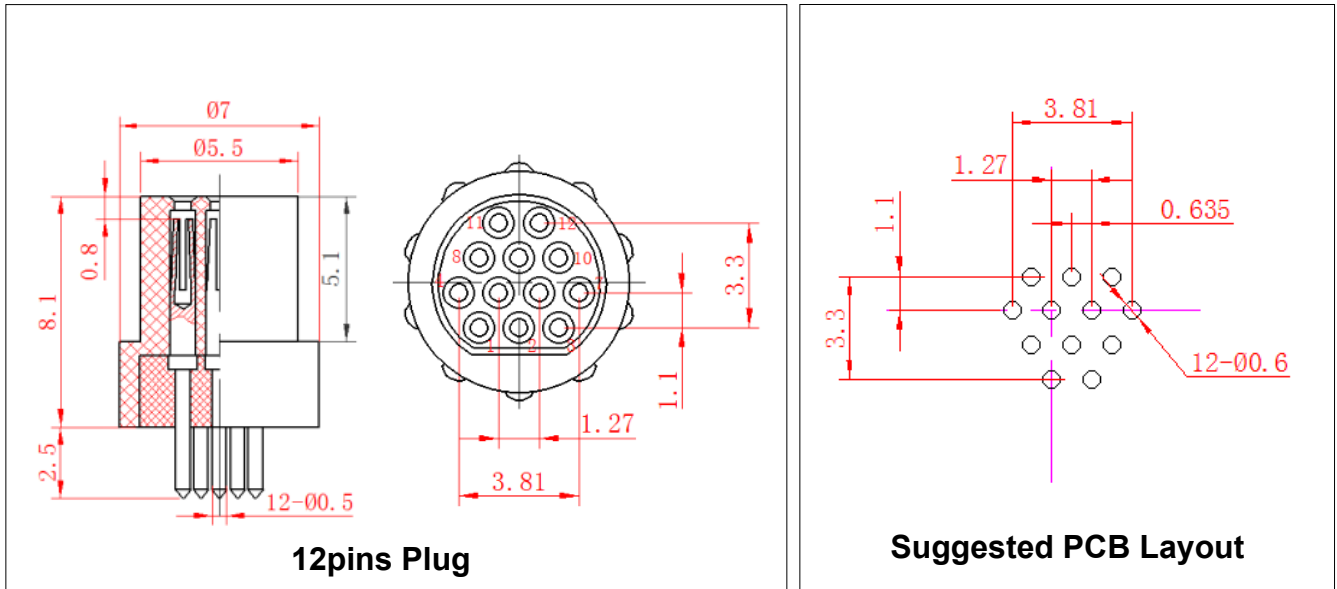
7.1.2 Receptacle(RI) - with PTFE 26AWG wire



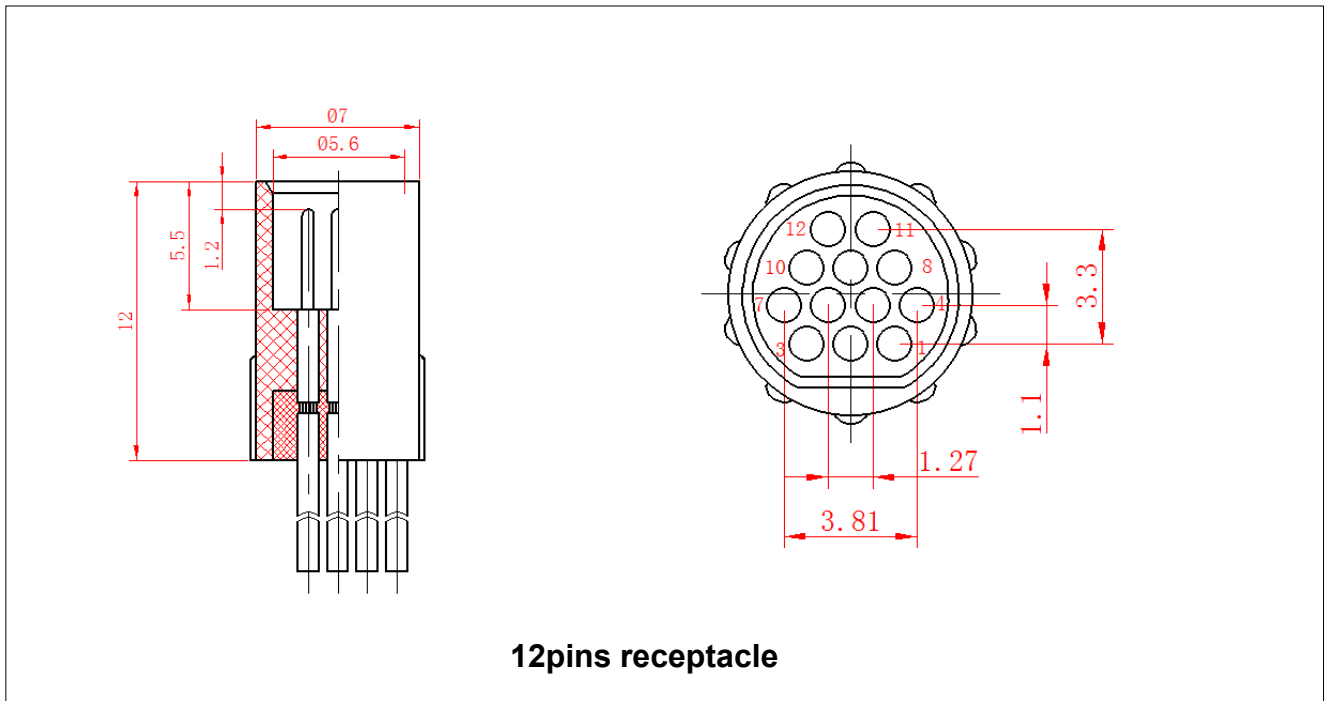
Note:all dimensions are in mm.

7.2 12pins Micro Circular Connector

7.2.1 Plug(PH) - Straight to PCB

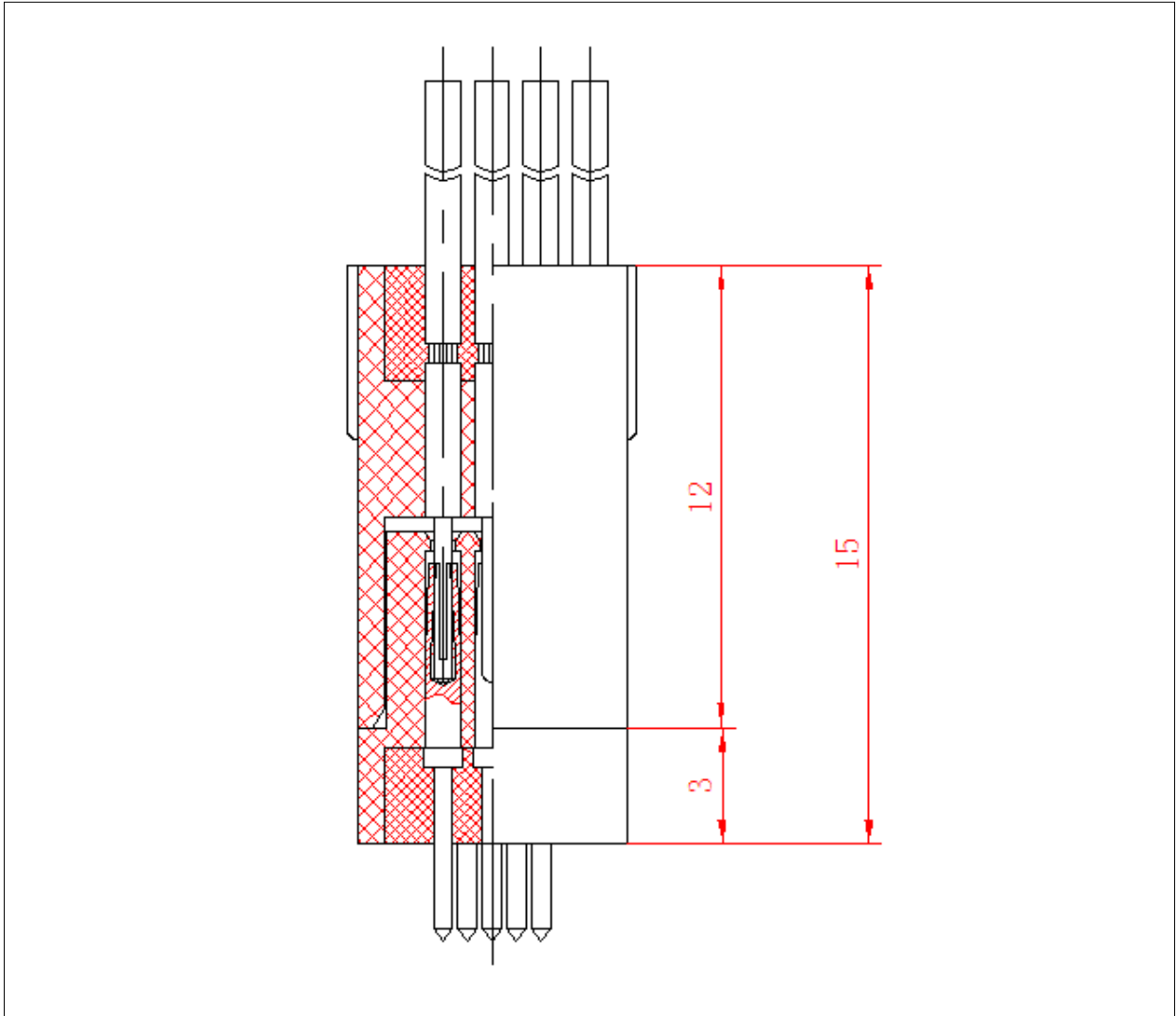


7.2.2 Receptacle(RI) - with PTFE 26AWG wire



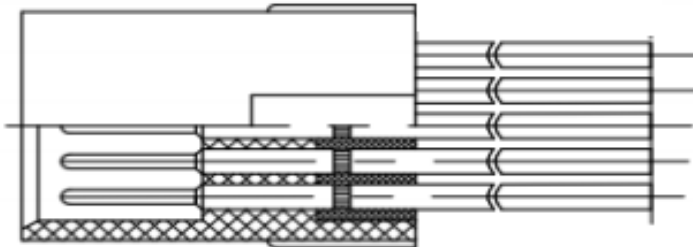
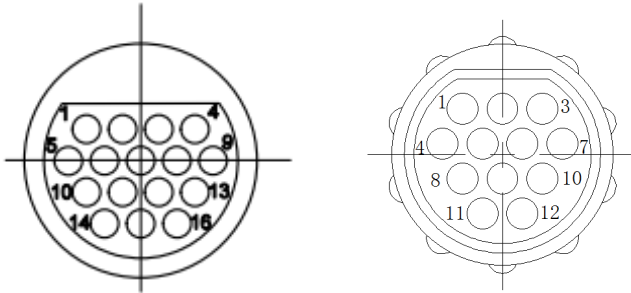
Note:all dimensions are in mm.

7.3 Outline Dimension after mating



Note:all dimensions are in mm.

7.4 Cable Chart



Technical Requirments:

1. Wires type: PTFE 26AWG
2. Wires color must fit the corresponding color in the table;
3. Unmarked tolerance of form and position shall follow GB/T1804-H;
4. The length of wire depends on order requirments.

Pin	Cable Color
1	Red/White
2	Yellow/White
3	Blue/White
4	Green/White
5	Red
6	Yellow
7	Blue
8	Green
9	Copper Brown
10	Black Brown
11	Light Blue
12	Orange
13	Purple
14	Black
15	White
16	Gray